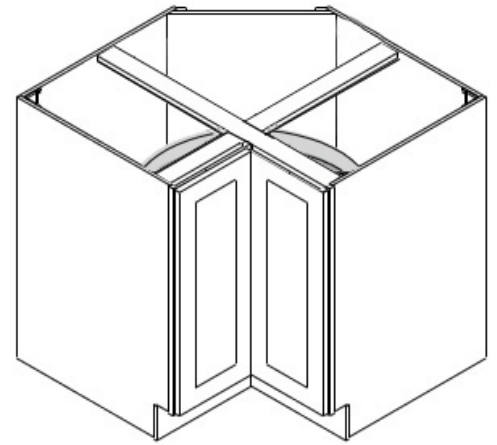


# LAZY SUSAN (WC/BC)

CODE	ITEM	QTY
A	Right   Left Side Panel	2
B	Right   Left Back Panel	2
D	Bottom Panel	2
H	Back Panel	1
I	Knuckle Hinges	2
J	Toe Kick Plate	2
K/L	Front Face	2
M	Front Doors	2
N	Cross Stile	2
O	Wall Fame Hinges	2
P	Top Spin Pole	1
Q	Bottom Spin Pole	1
R	Spin Basket	2
S	Locking Pin	2
T	Pole Gasket	2
U	Plastic Brackets	4



**EASY ASSEMBLY METAL CLIP SYSTEM**

- Align Clips ① and ②
- Slide ① into ②
- Insert locking screw into clip pair
- Tighten all screws

**STEP 1**

- Lay B flat; grooves facing upward and insert A (refer to Metal Clip System)
- Repeat this step with the other A and B panels

**STEP 2**

- Insert bottom panel D into A and B and tighten using the Metal Clips System
- Repeat with the other A and B combo and tighten using the Metal Clip System

**STEP 3**

- Slide the Back Panel h against the B and insert screws into pre-drilled holes from the back
- Place and screw U (plastic brackets) into corners of K, A and B

**STEP 4**

- Position the two front frames K and L on the A, so that the grooves and clips lineup
- Insert a long screw through pre-drilled holes in J and L
- Attach J to A using the Metal Clip System

**STEP 5**

- Position strength stile N between L and B and attach with screws
- Secure spinner to strengthen N

**STEP 6**

- Insert frame hinge O into the pre-drilled hinge holes of the cabinet doors and fasten all the screws

**STEP 7**

- Attach the assembled doors onto the frame using long screws into pre-drilled holes