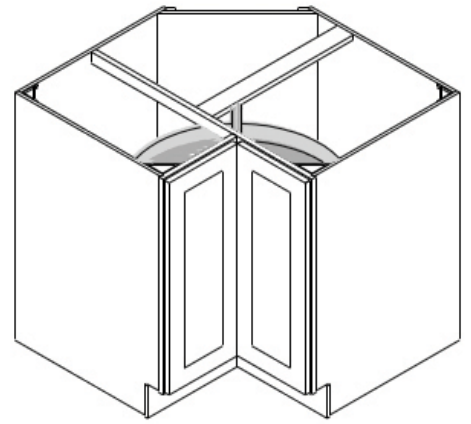


LAZY SUSAN

CODE	ITEM	QTY
A	Right Left Side Panel	2
B	Right Left Back Panel	2
D	Bottom Panel	1
H	Back Panel	1
I	Knuckle Hinges	2
J	Toe Kick Plate	2
K/L	Front Face	2
M	Front Doors	2
N	Strengten Stile	2
O	Wall Fame Hinges	2
P	Top Spin Pole	1
Q	Bottom Spin Pole	1
R	Spin Basket	2
S	Locking Pin	2
T	Pole Gasket	2
U	Plastic Brackets	4



EASY ASSEMBLY METAL CLIP SYSTEM



- Align Clips ① and ②
- Slide ① into ②
- Insert locking screw into clip pair
- Tighten all screws

STEP 1

- Lay B flat; grooves facing upward and insert A (refer to Metal Clip System)
- Repeat this step with the other A and B panels

STEP 2

- Insert bottom panel D into A and B and tighten using the Metal Clips System
- Repeat with the other A and B combo and tighten using the Metal Clip System

STEP 3

- Position the two front frames K and L on the A, so that the grooves and clips lineup
- Insert a long screw through pre-drilled holes in J and L
- Attach J to A using the Metal Clip System

STEP 4

- Slide the Back Panel h against the B and insert screws into pre-drilled holes from the back
- Place and screw U (plastic brackets) into corners of K, A and B

STEP 5

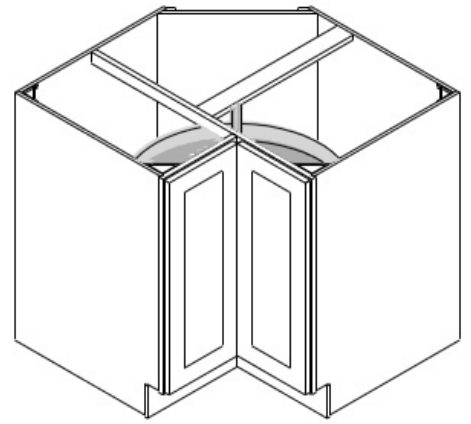
- Insert locking pin S into the bottom pole Q to set the height of the first basket R. Slide pole gasket T onto locking pin as shown

STEP 6

- Slide spin basket R onto bottom spin pole Q and into T
- Repeat steps 1-2 to attach second spin tray
- Insert top spin pole P and snap into bottom pole Q

LAZY SUSAN

CODE	ITEM	QTY
A	Right Left Side Panel	2
B	Right Left Back Panel	2
D	Bottom Panel	1
H	Back Panel	1
I	Knuckle Hinges	2
J	Toe Kick Plate	2
K/L	Front Face	2
M	Front Doors	2
N	Strengten Stile	2
O	Wall Fame Hinges	2
P	Top Spin Pole	1
Q	Bottom Spin Pole	1
R	Spin Basket	2
S	Locking Pin	2
T	Pole Gasket	2
U	Plastic Brackets	4



EASY ASSEMBLY METAL CLIP SYSTEM



- Align Clips ① and ②
- Slide ① into ②
- Insert locking screw into clip pair
- Tighten all screws

STEP 7

➤ Insert spinner unit into cabinets and screw into pre-drilled holes in D

STEP 8

➤ Position strength stile N between L and B and attach with screws

➤ Secure spinner to strengthen N

STEP 9

➤ Insert frame hinge O into the pre-drilled hinge holes of the cabinet doors and fasten all the screws

STEP 10

➤ Attach the assembled doors onto the frame using long screws into pre-drilled holes