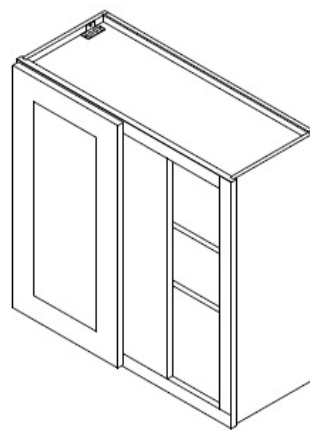


BLIND WALL CABINET

CODE	ITEM	QTY
A	Right Left Side Panel	2
D	Bottom Panel	1
G	Shelf	2/3
H	Back Panel	1
M	Front Face	1



EASY ASSEMBLY METAL CLIP SYSTEM

- Align Clips ① and ②
- Slide ① into ②
- Insert locking screw into clip pair
- Tighten all screws

STEP 1

- Lay A flat; grooves facing up and insert both D's into metal clips of A (refer to Metal Clip System)
- Insert opposite A into metal clips of both D's

STEP 2

- Slide H into D Right | Left

STEP 3

- Attach M to A and D so that the metal clips engage (refer to Metal Clip System)

STEP 4

- Screw screws through H into D Top | Bottom

STEP 5

- Insert shelf clips into D, slide G, and secure